

PROXXON

GB Service note

All PROXXON products are thoroughly inspected after production. Should a defect occur nevertheless, please contact the dealer from whom you purchased the product. Only the dealer is responsible for handling all legal warranty claims which refer exclusively to material and manufacturer error.

Improper use, such as capacity overload, damage due to outside influences and normal wear are excluded from the warranty.

You will find further notes regarding "Service and Spare Parts Management" at www.proxxon.com.

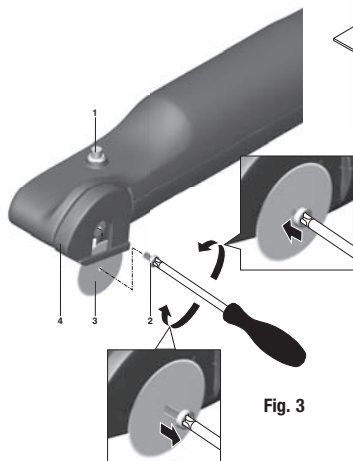
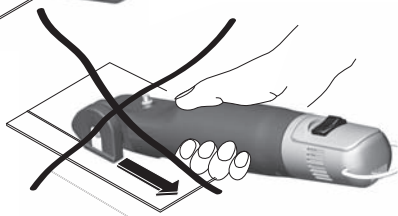
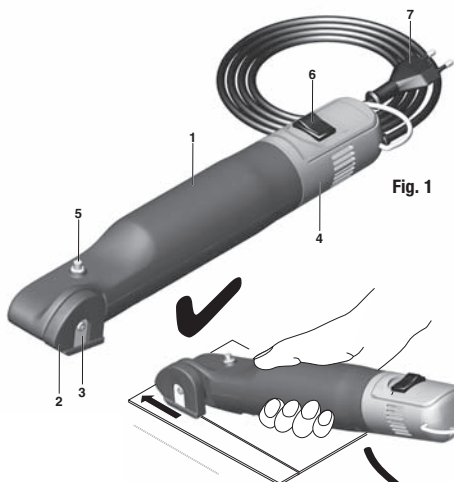
PROXXON

MICROCUTTER MIC



Manual

Art.-Nr. 28650-99 PR 712717703 S



GB Translation of the Original Operating Instructions Microcutter MIC

Dear Customer!

Always keep these operating instructions and the enclosed safety guidelines within reach. Only use this device with exact knowledge of it and comply with the instructions and the safety guidelines!

First, this is necessary to ensure safe operation and second, it makes it easier to become familiar with the device and its functions.

Proxxon will not be liable for the safe function of the device for:

- handling that does not comply with the usual intended use,
- other application uses that are not stated in the instructions,
- incorrectly executed repairs,
- disregard of the safety regulations,
- external effects for which the manufacturer is not responsible.

We recommend using PROXXON original spare parts for all repair and maintenance work. Repairs should only be performed by qualified specialist staff!

Please note: All information contained in these operating instructions - especially the technical data - correspond to the status at the time of printing.

All rights reserved for further developments within the meaning of technical progress. We wish you much success with the device.

Warning:

Read all safety warnings and instructions. Failure to follow all safety warnings and instructions listed below may



result in electric shock, fire and/or serious injury.

KEEP ALL SAFETY WARNINGS AND INSTRUCTIONS FOR THE FUTURE!

If you cannot avoid operating the electric tool in a moist environment, use a residual-current circuit-breaker! The use of a residual-current circuit-breaker reduces the risk of an electric shock.

1 Legend (Fig. 1):

1. Housing
2. Covering cap
3. Saw blade
4. Cap with ventilation slits
5. Lock button
6. On-Off switch
7. Connecting cable

2 Description of the device:

The Microcutter MIC is a very compact yet very powerful device for separating materials such as wood, plastic, cardboard, etc. Driven by a compact, but very powerful direct current motor, the saw blade rotates with 20,000 revolutions per minute: This ensures a good cutting performance for different work tasks.

The ergonomically shaped housing is a pleasure to hold and provides a well-defined contact surface when clasp the housing front with your fingers. This lets you guide the device effortlessly and precisely, enabling you to cut exactly where you want to.

The safety aspect was included as well: The saw blade is enclosed by a protective casing that opens automatically when the device dips into the work piece. This considerably reduces the risk of injuries. Exchanging saw blades is absolutely no problem thanks to the integrated shaft lock and the easily accessible saw blade fixation screw.

3 Scope of delivery:

1 piece	Microcutter MIC
1 piece	Operating instructions
1 piece	Safety guidelines
1 piece	Screwdriver

4 Technical data:

Motor:	
Voltage:	230 V, 50/60 Hz, ~
Capacity:	40 watt
S2	KB 5 min
Device:	
Length:	approx. 240 mm
Housing diameter:	approx. 36 mm
Weight (including connecting cable):	approx. 390 g
Saw blade rotational speed:	20,000/min
Max. saw blade diameter:	23 mm
Noise generation:	< 70 dB(A)
Vibration:	≤ 2,5 m/s ²

5 Noise/vibration information:

The information on vibration and noise emission has been determined in compliance with the prescribed standardised and normative measuring methods and can be used to compare electrical devices and tools with each other.

These values also allow a preliminary evaluation of the loads caused by vibration and noise emissions.

Warning!

Depending on the operating conditions while operating the device, the actually occurring emissions could differ from the values specified above!

Please bear in mind that the vibration and noise emission can deviate from the values given in these instructions, depending on the conditions of use of the tool. Poorly maintained tools, inappropriate

working methods, different work pieces, too high a feed or unsuitable work pieces or materials or unsuitable bits and cutters (here: saw blade) can significantly increase the vibration load and noise emission across the entire work period.

To more accurately estimate the actual vibration and noise load, also take the times into consideration where the device is switched off, or is running but is not actually in use. This can clearly reduce the vibration and noise load across the entire work period.

Warning:

- Ensure regular and proper maintenance of your tool
- Stop operation of the tool immediately if excessive vibration occurs!
- Unsuitable bits and cutters can cause excessive vibration and noises. Only use suitable bits and cutters!
- Take breaks if necessary when working with the device!

Use only in dry rooms



Protection class II device



Do not dispose of the electrical device in the household waste!



Read all instructions and safety rules!



For your safety, always wear hearing protection while working!



6 Commissioning:

Your Microcutter MIC is ready for use when delivered and does not require special commissioning measures. However, each time before you begin work, check the device for signs of obvious damage and make sure that the automatic saw blade cover works correctly and swings back automatically to the home position whenever the device is not in use.

Always ensure your own safety. Despite its compact size, the Microcutter MIC is an electric tool that poses a certain risk. Always make sure to disconnect the mains plug when you check the device, clean it or replace the saw blade!

7 Working with the device:

Attention:

For your own safety, wear protective goggles and hearing protection when you work with the device!

Attention:

While working, make sure the work piece is held securely! Flying work piece parts pose a hazard!

Attention:

Never press the lock button when the device is switched on. This would cause mechanical damage!

Warning:

Please make sure that the saw blade is in a perfect condition and is not worn or damaged. Worn or damaged saw blades can break or place a great load on the mechanics while working. Risks of injuries or technical defects are the consequences. How to replace the saw blade is described in these instructions under "Care and maintenance".

Hold the device as shown in Fig. 2 and set it down carefully on the work piece to be separated. Please note that the maximum dipping depth of the saw blade is 4 mm, so that only 4 mm-thick work pieces can be separated.

Adjust the feed speed to the requirements of the work piece material and the cutting thickness. To ensure long-lasting and reliable operation, handle the device with care and do not overload it!

8 Care and maintenance:

The device is primarily maintenance free. For a long service life, you should clean your unit after every use with a soft cloth or brush.

The external surface of the housing can be cleaned using a soft, possibly moist cloth. Mild soap or other suitable cleansers may be used as well. Do not use solvents or alcohol-based cleansers (e.g. benzene, cleaning alcohols, etc) as these could attack the plastic housing casings. In any event, make absolutely certain that no liquids penetrate the interior of the device.

8.1 Replacing the saw blade

Warning:

For the following steps it is imperative you disconnect the mains plug of the device!

Attention:

Worn or damaged saw blades must be replaced. Risk of breakage and injuries! Decreasing saw performance is a sure indicator of a dull saw blade. Dull saw blades must be replaced immediately as described further below. We recommend the original Proxxon replacement saw blades.

1. Carefully press the lock button 1

Please note:

Check screw 2 has a left-hand thread!

2. Using a suitable screwdriver, release and unscrew the check screw 2. Attention: The saw blade shaft might rotate along until the lock button "finds" its correct position on the shaft. This is noticeable when the lock button engages completely at that point. The shaft is then blocked.
3. Remove the saw blade 3. If necessary, fold up the saw blade protection 4 a little more.
4. Insert the new saw blade. Please note: The saw blade is non directional, so the assembly position is arbitrary.
5. Replace screw 2 and tighten.

9 Accessories:

For more detailed information on accessories, please request our device catalogue from the address specified on the last page in the warranty information.

Please note in general:

Proxxon bits and cutters have been designed to work with our machines, which makes them optimal for their use.

We will not assume any liability whatsoever for the safe and proper function of our devices when using third-party bits and cutters!

10 Disposal:

Do not dispose of the device in the household waste! The device contains valuable substances which could be recycled. If you have questions concerning this topic, please address your municipal disposal company or other appropriate municipal institutions.

11 EC Declaration of Conformity

Name and address:

PROXXON S.A.
6-10, Hårebiërg
L-6868 Wecker

Product designation Micro-Cutter MIC
Article No.: 28650

In sole responsibility, we declare that this product conforms to the following directives and normative documents:

EU Machinery Directive **2006/42/EC**
DIN EN 62841-1/07.2016

EU-EMC Directive **2004/108/EC**
DIN EN 55014-1 / 05.2012
DIN EN 55014-2 / 11.2014
DIN EN 61000-3-2 / 03.2015
DIN EN 61000-3-3 / 03.2014

Date: 18.12.2017



Dipl.-Ing. Jörg Wagner
PROXXON S.A.

The CE document authorized agent is identical with the signatory.

Spare Parts List

ET - Nr.:	Description
28650 -03	Cap
28650 -06	Cover for saw blade
28650 -08	Front bush bearing
28650 -09	Bevel gear
28650 -10	Rear bush bearing
28650 -11	Saw blade shaft
28650 -12	Saw blade
28650 -13	Lock button
28650 -14	Bow
28650 -15	Switch
28650 -16	Connecting cable
28650 -17	Board
28650 -18	Screw, long
28650 -19	Screw, short
28650 -20	Screw
28650 -22	Upper casing half
28650 -23	Downer casing half
28650 -24	Motor
28650 -25	Shaft with fan
28650 -99	Manual incl. Safety Instructions

