

PROXXON



PROXXON-MICROMOT
MSG

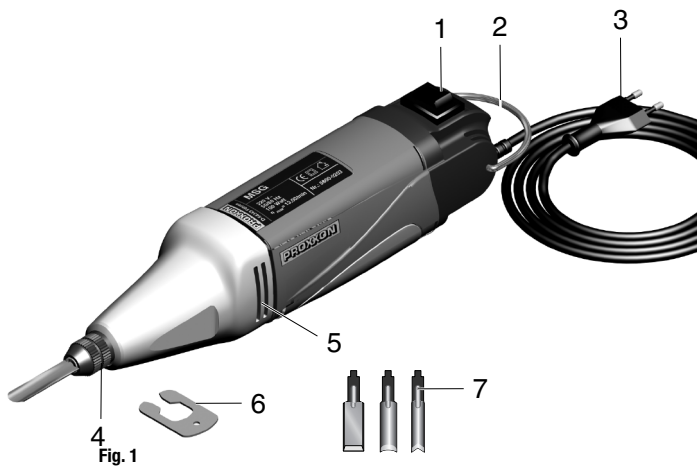


Fig. 1

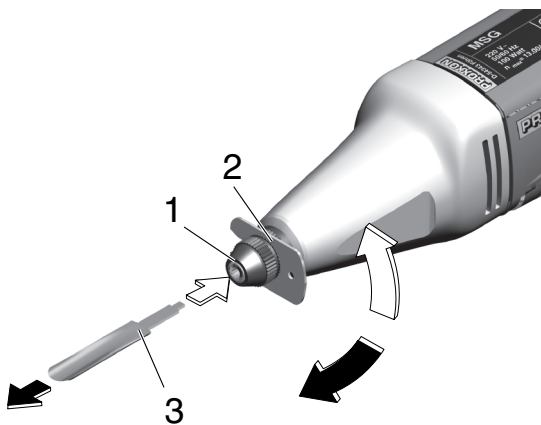


Fig. 2

Operating Instructions PROXXON-MICROMOT MSG motorised carver

Dear customer,

Congratulations on your purchase of a PROXXON MICROMAT MSG motorised carver. Here you have the ideal unit to cut all types of wood, to carry out renovation and general work with furniture and antiques, to carve wood, sculptures or plaster, to cut linoleum, and many more applications as well.

The scope of supply includes:

- 1 pc. MSG motorised carver
- 1 pc. Chuck key
- 1 pc. Blade inserts (3 pcs, bimetallic):
U, V and flat blade
- 1 pc. Storage case
- 1 pc. Operating manual
- 1 pc. General Safety Rules

Captions: (Fig. 1)

1. ON-OFF switch
2. Device clamp
3. Connecting cable with mains plug
4. Coupling ring to attach the blade
5. Ventilation slots
6. Chuck key
7. Set of blade inserts

The MSG offers you:

1. Maximum operating comfort and convenience thanks to an ergonomically shaped case.
2. Low weight for optimum handling and to minimize tiredness when working.
3. A gearbox casing made of diecast aluminium for precise locations of the ball bearings and more stability under extreme loading.
4. A quiet, powerful and maintenance-free 24-pole motor.

5. Electrical safety to protection class 2.

WARNING!

Read all safety warnings and instructions. Failure to follow all safety warnings and instructions listed below may result in electric shock, fire and/or serious injury.



KEEP ALL SAFETY WARNINGS AND INSTRUCTIONS FOR THE FUTURE !

In this way you can

1. get to know your motorised carver better
2. avoid problems due to incorrect handling
3. increase the life of your motorised carver
4. minimize the risk of injuries, and
5. use your MSG motorised carver more effectively.

Please note the following in addition:

PROXXON is not liable for any damage occurring as a result of:

1. Handling that is not done in the normal way
2. Using the unit for purposes that are not listed in the instructions
3. Failure to comply with the safety stipulations

Any claim to warranty shall be null and void in the event of

1. Errors in the use of the unit
2. Inappropriate operation
3. Manipulation or opening-up of the unit

Only use PROXXON original spare parts. Only these can guarantee maximum quality and reliability. We reserve the right to make changes and improvements without notice.

Technical data

Motor:	
Voltage	230 V ~, 50/60 Hz
AC Rating	50 Watt
Short-term operation	SO 5 min
Rotating speed	11.000 rpm
Weight approx.	640 g
Noise	typically 74 dB(A)
Vibration at the handle	< 2.5 m/s ²
General measuring uncertainty	K=3 dB

The noise level can exceed 85 dB(A) during work. For your safety, always wear hearing protection while working!



Noise/vibration information

The information on vibration and noise emission has been determined in compliance with the prescribed standardised and normative measuring methods and can be used to compare electrical devices and tools with each other.

These values also allow a preliminary evaluation of the loads caused by vibration and noise emissions.

Warning!

Depending on the operating conditions while operating the device, the actually occurring emissions could differ from the values specified above!

Please bear in mind that the vibration and noise emission can deviate from the values given in these instructions, depending on the conditions of use of the tool. Poorly maintained tools, inappropriate working methods, different work pieces, too high a feed or unsuitable work pieces or materials or unsuitable bits and cutters (here: saw blade) can significantly increase the vibration load and noise emission across the entire work period.

To more accurately estimate the actual vibration and noise load, also take the times into consideration where the device is switched off, or is running but is not actually in use. This can clearly reduce the vi-

bration and noise load across the entire work period.

Warning:

- Ensure regular and proper maintenance of your tool
- Stop operation of the tool immediately if excessive vibration occurs!
- Unsuitable bits and cutters can cause excessive vibration and noises. Only use suitable bits and cutters!
- Take breaks if necessary when working with the device!

For use in dry environments only



Protection class II device



Wear safety glasses!



Please do not dispose off the machine!



WARNING!

Please note the following:

Pull out the mains plug before carrying out any work on the unit!

In any case ensure that the switch is set to the "OFF" position in order to prevent the unit starting up again accidentally or unexpectedly.

Operation of the MSG motorised carver

Inserting or replacing the blades (Fig. 2)

WARNING:

Always ensure that the mains plug has been pulled out when you insert or change the blade!

Please note the following when handling the blades: The blades have a sharp cutting edge:

DANGER OF INJURY!

1. Loosen the coupling ring (1) with the chuck key (2) and pull the blade (3) out to the front.
2. Push the new blade into the slot
3. Tighten up the coupling ring again.

Please ensure that the blade has been securely tightened up. This is essential for safe and proper work. This will benefit both the work piece and the tool and will considerably reduce wear. In addition, the results of the work will be considerably better.

Note:

Blunt blades should be replaced in good time. The blades can be resharpened with sharpening stone No. 28 578 (not part of the scope of supply).

Working with the carver

WARNING!

Always work moving away from the body and never hold your fingers or hand (Fig. 3) in the direction of cutting. You could hurt yourself if you slipped. Work as shown in Fig. 4!

WARNING!

Do not switch on the unit when it is under load (axial pressure). Do not work without protective glasses.

1. Firmly secure the work piece.
2. Turn on the unit at the switch 1 (Fig. 1).
3. Hold the unit such that the ventilation slots 5 (Fig. 1) are not covered.
4. Guide the unit with light hand pressure (Fig. 4) and avoid strong pressure. You can achieve cleaner work results if you let the unit cut through the material by itself without much pressure.
Immediately switch off the machine and allow it to cool down if it has overheated.

Note:

Trace or draw the design motif before starting the work on the work piece and cut it out roughly.

You can find technical books and templates at your bookstore. You will also find usual information about materials and working techniques in our "Manual for Creative Model Makers" with part number 28 996.

Maintenance, cleaning and care

Attention:

Disconnect the mains plug prior to every adjustment, maintenance measure or repair!

Note:

Every device is dirtied by dust when working with wood. Cleaning is therefore essential. To ensure a long service life, however, the machine should be cleaned with a soft cloth or brush after each use.

Mild soap or other suitable cleaning agent may be used in this context. Solvents or cleaning agents containing alcohol (e.g. petrol, cleaning alcohols, etc.) should be avoided, since these can attack plastic casings.

The apertures required for cooling the motor must always be kept free of dust and dirt.

Accessories

For more detailed information on accessories, please request our device catalogue from the address specified on the last page in the warranty information.

Please note in general:

Proxxon bits and cutters have been designed to work with our machines, which makes them optimal for their use.

We will not assume any liability whatsoever for the safe and proper function of our devices when using third-party bits and cutters!

Service note

Please note: The mains power input may only be replaced by our Proxxon Service Department or a qualified specialist!

Disposal

Please do not dispose of the device in domestic waste! The device contains valuable substances that can be recycled. If you have any questions about this, please contact your local waste management enterprise or other corresponding municipal facilities.

EC Declaration of Conformity

Name and address:

PROXXON S.A.
6-10, Härebjerg
L-6868 Wecker

Product designation: MSG

Article No.: 28644

In sole responsibility, we declare that this product conforms to the following directives and normative documents:

EU EMC Directive 2014/30/EC

DIN EN 55014-1 / 09.2016

DIN EN 55014-2 / 01.2016

DIN EN 61000-3-2 / 03.2015

DIN EN 61000-3-3 / 03.2014

EU Machinery Directive

2006/42/EC

DIN EN 62841-1 / 07.2016

Date: 20.12.2017

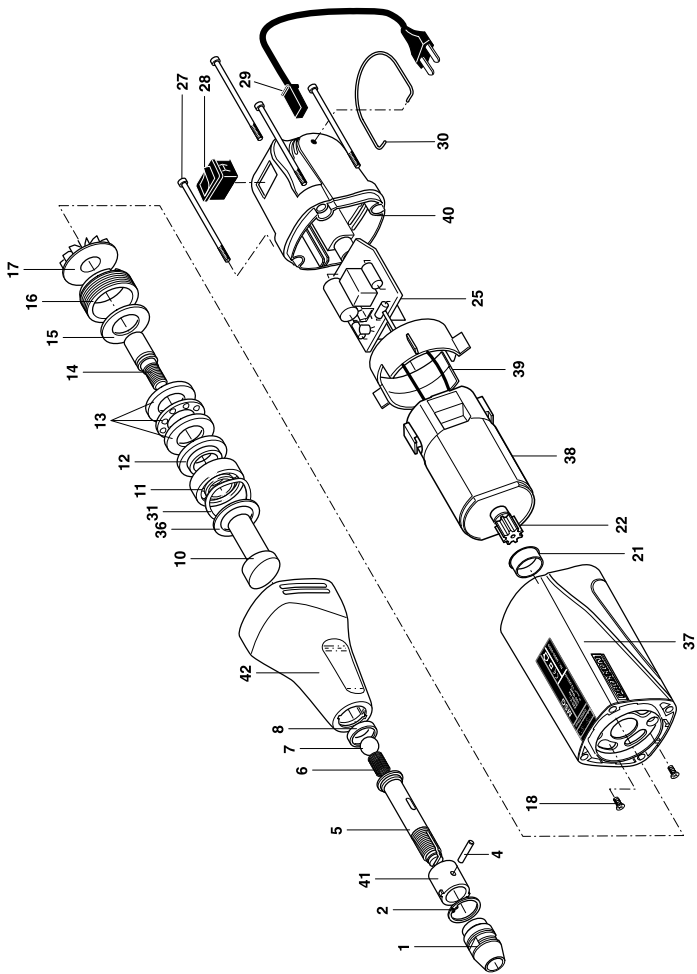


Dipl.-Ing. Jörg Wagner

PROXXON S.A.

Machine Safety Department

The CE document authorized agent is identical with the signatory.



PROXXON MSG
(Art.-Nr. 28644)

ET-Nr.:	Description
28644 - 01	Cap nut
28644 - 02	Circlips
28644 - 04	Pin
28644 - 05	Plunger
28644 - 06	Spring
28644 - 07	Ball, hardened
28644 - 08	Cap
28644 - 10	Shaft
28644 - 11	Bearing 8x19x6
28644 - 12	Spacer
28644 - 13	Bearing 8x19, h=7
28644 - 14	Shaft
28644 - 15	Washer
28644 - 16	Brass nut M16x1
28644 - 17	Fan
28644 - 18	Motor screw
28644 - 21	Centering ring
28644 - 22	Pignion
28644 - 23	Motor
28644 - 25	Board
28644 - 27	Casing screws
28644 - 28	Switch
28644 - 29	Power supply cord
28644 - 30	Bow
28644 - 31	Spring washer
28644 - 36	Shim
28644 - 37	Motor casing
28644 - 39	Support ring
28644 - 40	Cap, short
28644 - 41	Bushing
28644 - 42	Head
28644 - 93	Label

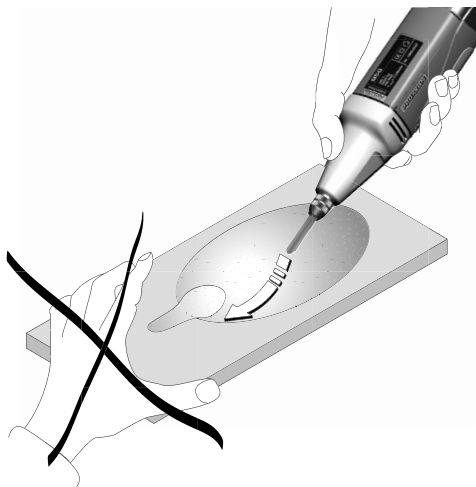


Fig. 3

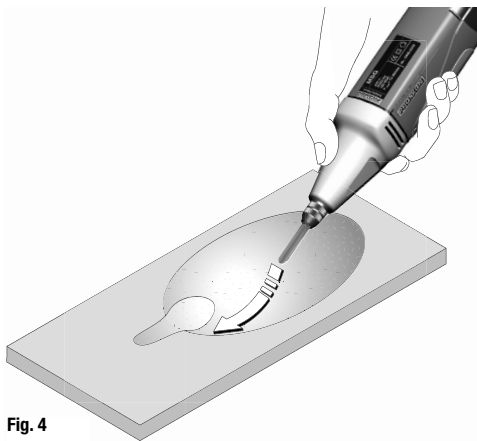


Fig. 4

PROXXON

GB Service note

All PROXXON products are thoroughly inspected after production. Should a defect occur nevertheless, please contact the dealer from whom you purchased the product. Only the dealer is responsible for handling all legal warranty claims which refer exclusively to material and manufacturer error.

Improper use, such as capacity overload, damage due to outside influences and normal wear are excluded from the warranty.

You will find further notes regarding "Service and Spare Parts Management" at www.proxxon.com.