

PROXXON

STS 12/E



Manual

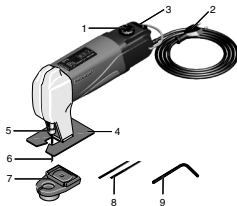


Fig. 1

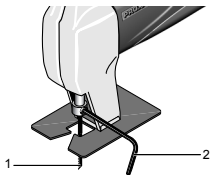


Fig. 2



Fig. 3



Fig. 4



Fig. 5

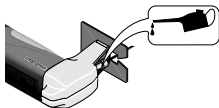


Fig. 6

GB Translation of the Original Operating Instructions
**PROXXON – MICROMOT-
Jig Saw STS 12/E**

Dear customer,
Please read the enclosed safety regulations and operating instructions carefully before using the unit.



WARNING!

Read all instructions. Failure to follow all instructions listed below may result in electric shock, fire and/or serious injury. The term „power tool“ in all of the warnings listed below refers to your mains operated (corded) power tool or battery operated (cordless) power tool, also machines and electric units. Only use the power tool for the purpose for which it was intended, with the due attention to the general safety and accident prevention regulations.

SAVE THESE INSTRUCTIONS.

1.) Work area

- a) **Keep work area clean, tidy and well lit.**
Cluttered and dark areas invite accidents.
- b) **Do not operate power tools in explosive atmospheres, such as in the presence of flammable liquids, gases or dust.**
Power tools create sparks which may ignite the dust or fumes.
- c) **Keep children and bystanders away while operating a power tool.**
Distractions can cause you to lose control.

2.) Electrical safety

- a) **Power tool plugs must match the outlet. Never modify the plug in any way. Do not use any adapter plugs with earthed (grounded) power tools.**
Unmodified plugs and matching outlets will reduce risk of electric shock.
- b) **Avoid body contact with earthed or grounded surface such as pipes, radiators, ranges and refrigerators.** There is an increased risk of electric shock if your body is earthed or grounded.
- c) **Do not expose power tools to rain or wet conditions.** Water entering a power tool will increase the risk of electric shock.
- d) **Do not abuse the cord. Never use the cord for carrying, pulling or unplugging the power tool. Keep cord away from heat, oil, sharp edges or moving parts.** Damaged or entangled cords increase the risk of electric shock.
- e) **When operating a power tool outdoors, use an extension cord suitable for outdoor use.**
Use of a cord suitable for outdoor use reduces the risk of electric shock.

3.) Personal safety

- a) **Stay alert, watch what you are doing and use common sense when operating a power tool. Do not use a power tool while you are tired or under the influence of drugs, alcohol or medication.**
A moment of inattention while operating power tools may result in serious personal injury.
 - b) **Use safety equipment. Always wear eye protection.** Safety equipment such as dust mask, non-skid safety shoes, hard hat, or hearing protection used for appropriate conditions will reduce the risk of personal injuries.
 - c) **Avoid accidental starting. Ensure the switch is in the off position before plugging in.** Carrying power tools with your finger on the switch or plugging in power tools that have the switch on invites accidents. Never bridge the switch.
 - d) **Remove any adjusting key or wrench before turning the power tool on.** A wrench or a key left attached to a rotating part of the power tool may result in personal injury. Always keep your hands away from moving (rotating) parts.
 - e) **Do not overreach. Keep proper footing and balance at all times.** This enables better control of the power tool in unexpected situations.
 - f) **Dress properly. Do not wear loose clothing or jewellery. Keep your hair, clothing and gloves away from moving parts.** Loose clothes, jewellery or long hair can be caught in moving parts.
 - g) **If devices are provided for the connection of dust extraction and collection facilities, ensure these are connected and properly used.** Use of these devices can reduce dust related hazards.
 - h) **Only allow trained personnel to use the power tool.** Apprentices may only operate the power tool when they are aged over 16, when this is necessary for their training and when they are supervised by a trained operative.
- 4.) Power tool use and care**
- a) **Do not force the power tool. Use the correct power tool for your application.**
The correct power tool will do the job better and safer at the rate for which it was designed.
 - b) **Do not use the power tool if the switch does not turn it on and off correctly.**
Any power tool that cannot be controlled with the switch is dangerous and must be repaired.
 - c) **Disconnect the plug from the power source before making any adjustments, changing accessories, or storing power tools.**
Such preventive safety measures reduce the risk of starting the power tool accidentally.

- d) **Store idle power tools out of the reach of children and do not allow persons unfamiliar with the power tool or these instructions to operate the power tool.** Power tools are dangerous in the hands of untrained users.
- e) **Maintain power tools carefully. Check for misalignment or binding of moving parts, breakage or damage of parts and any other condition that may affect the power tools operation. If damaged, have the power tool repaired by a qualified expert before use.** Many accidents are caused by poorly maintained power tools.
- f) **Keep cutting tools sharp and clean.** Properly maintained cutting tools with sharp cutting edges are less likely to bind and are easier to control.
- g) **Secure the workpiece.** Use clamps or a vice to hold the workpiece. This is safer than holding it with your hand, and also it frees both hands to operate the equipment.


General view (Fig. 1):

1. Speed control knob
2. Power cable
3. ON/OFF switch
4. Sliding foot
5. Saw blade mount
6. Saw blade
7. Ball head cutter
8. Replacement saw blades
9. Hollow hexagon wrench

Description of the machine

The PROXXON-MICROMOT Jig Saw STS 12/E is the ideal device for curved cuts in wood (up to 10 mm), sheet metal (up to 3 mm) and non-ferrous metals (up to 2.5 mm). And, for processing spherical contours or irregular surfaces, we recommend using the supplied ball head cutter, which can be easily exchanged for the sliding block. A high-torque permanent magnet motor with electronic speed control ensures sufficient cutting power.

Technical data

| | |
|-----------------|--|
| Length: | approx. 160 mm |
| Weight: | approx. 400 g |
| Stroke: | 6 mm |
| No. of strokes: | 2,000-5,000/min |
| Voltage: | 12-18 Volt  |
| Power rating: | 100 watt |
| Noise emission | LPA 85 dB(A) LWA 98 dB(A) |
| Vibration: | $\leq 2.5 \text{ m/s}^2$ |

For use in dry environments only



Please do not dispose off the machine!



Wear safety glasses!



Connecting the device

1. Ensure that the tool is switched off before connecting to voltage supply unit.
2. Note correct polarity of plug.

Note:

- Only use voltage supply units with sufficient power rating. We recommend the PROXXON Voltage Supply Unit NG 2(E) or NG 5(E).
- When using an adjustable voltage supply unit, switch the voltage supply unit to maximum (max. 18 Volts) and control output at the tool.
- Tool control only functions when using voltage supply units that are not stabilised (all PROXXON voltage supply units). When using a stabilised voltage supply unit or a battery, the tool operates at maximum speed.
- PROXXON voltage supply units switch off automatically when overloaded. Pull out the mains plug and allow the voltage control unit to cool for several minutes.

Important

Only use safety transformers.

Operation

Clamping and replacing saw blades

Important

Disconnect the mains plug before replacing saw blades.

1. Loosen clamp screw using the internal hex tool provided (Allen) 2 (Fig. 2).

2. Insert saw blade 1 into slot in reciprocating plunger and tighten clamp screw.

Working with the tool

Important

Only sharp saw blades in good condition will provide satisfactory cutting performance and prevent the tool being overloaded. For this reason, promptly replace blunt saw blades.

1. Switch on tool at switch 2 (Fig. 3) and set the appropriate speed for the work at knob 1.

Note:

Never use excessive pressure. Only the correct, uniform number of strokes per minute provide optimum cutting performance.

Wood, aluminium, brass, and sheet metal
= high number of strokes/min
Plastics, thin materials, precision work
= low number of strokes/min

Working with the ball head cutter

It is recommended to use the ball head cutter (fig. 1, pos. 7) when working with spherically or irregularly shaped surfaces, such as when cutting out hulls, pumpkins, or similar (see fig. 4). To do so, simply remove the fastening screw and pull off the sliding block and, as shown in fig. 5, replace it with the ball head cutter. You must screw the fastening screw back in.

Maintenance

Important

Only the reciprocating plunger may be lightly oiled.

1. Regularly lubricate reciprocating plunger with several drops of engine oil, after approx. 30 min. running time (Fig. 6).
2. Following each use, clean attached saw dust from tool using a dry paintbrush.

Disposal:

Please do not dispose of the device in domestic waste! The device contains valuable substances that can be recycled. If you have any questions about this, please contact your local waste management enterprise or other corresponding municipal facilities.

EC Declaration of Conformity

Name and address:

PROXXON S.A.
6-10, Häreberg
L-6868 Wecker

Product designation: STS 12/E

Article No.: 28534

In sole responsibility, we declare that this product conforms to the following directives and normative documents:

EU Machinery Directive 2014/30/EC

DIN EN 55014-1/05.2012

DIN EN 55014-2/02.2016

DIN EN 61000-3-2/03.2015

DIN EN 61000-3-3/03.2014

Date: 07.11.2016

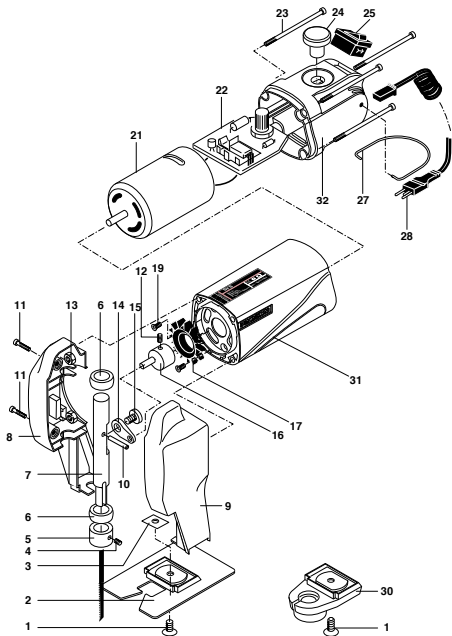


Dipl.-Ing. Jörg Wagner

PROXXON S.A.
Machine Safety Department

The CE document authorized agent is identical with the signatory.

| ET-Nr.: | Description |
|----------------|-------------------------|
| 28534 - 01 | Screw |
| 28534 - 02 | Saw table |
| 28534 - 03 | Press nut |
| 28534 - 04 | Set screw |
| 28534 - 05 | Collar |
| 28534 - 06 | Cup and ball bearing |
| 28534 - 07 | Push rod |
| 28534 - 08 | Housing, left |
| 28534 - 09 | Housing, right |
| 28534 - 10 | Pin |
| 28534 - 11 | Housing screw |
| 28534 - 12 | Set screw |
| 28534 - 13 | Nut |
| 28534 - 14 | Con-rod |
| 28534 - 15 | Eccentric screw |
| 28534 - 16 | Eccentric shaft |
| 28534 - 17 | Fan |
| 28534 - 19 | Motor fastening screw |
| 28534 - 21 | Motor |
| 28534 - 22 | Speed control |
| 28534 - 23 | Housing screw |
| 28534 - 24 | Control knob |
| 28534 - 25 | Switch |
| 28534 - 27 | Hook |
| 28534 - 28 | Power supply cord incl. |
| 28534 - 30 | Plug and grommet |
| 28534 - 31 | Motor housing |
| 28534 - 32 | Rear housing cap |
| 28534 - 99 | Manual |



PROXXON

GB Service note

All PROXXON products are thoroughly inspected after production. Should a defect occur nevertheless, please contact the dealer from whom you purchased the product. Only the dealer is responsible for handling all legal warranty claims which refer exclusively to material and manufacturer error.

Improper use, such as capacity overload, damage due to outside influences and normal wear are excluded from the warranty.

You will find further notes regarding "Service and Spare Parts Management" at www.proxxon.com.