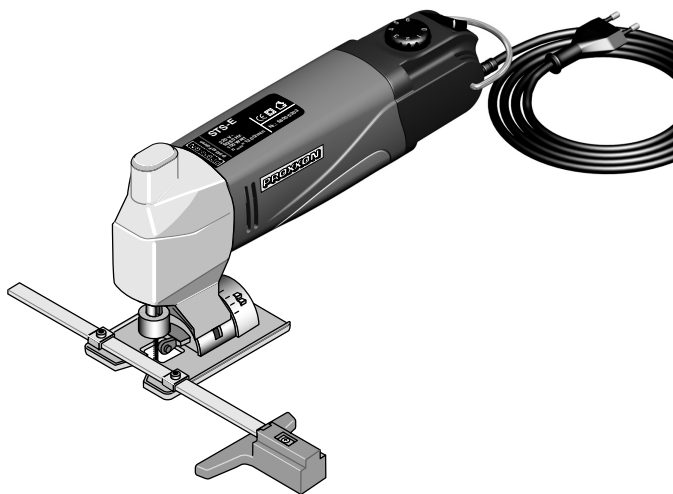


# PROXXON

STS/E



Manual

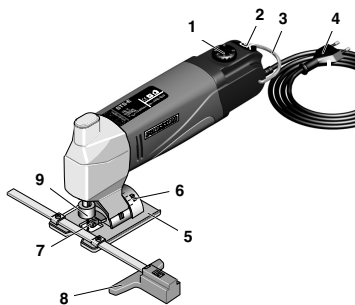


Fig. 1



Fig. 2

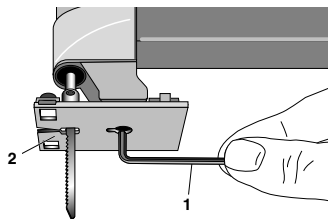


Fig. 3

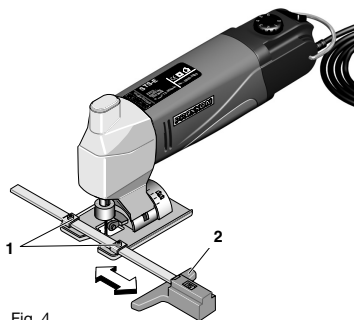


Fig. 4



Fig. 5

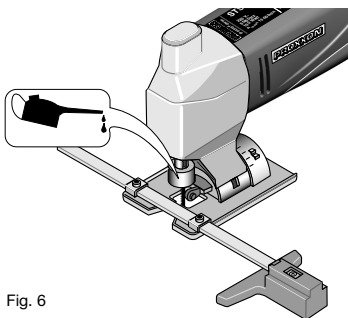


Fig. 6

**GB** Translation of the Original  
**Operating Instructions**  
**Super STS/E Jig Saw**

---

## Foreword

Dear Customer,

The PROXXON Super STS/E Jig Saw is an easy-to-use but nonetheless high-performance device, which produces excellent cutting results.

This instruction manual covers:

- Safety regulations
- Operation and maintenance
- Spare parts list.

Please read carefully.

The use of this instruction manual

- makes it easier, to become familiarised with the device,
- prevents faults due to improper operation
- and increases the service life of the device.

Keep this instruction manual in an easily accessible place.

The instruction manual must be read before, and observed during operation of the device.

PROXXON is not liable for the safe functioning of the device:

- in the case of non-designated use or for purposes
- other than those specified in the instruction manual,
- if the safety regulations are not observed.

Warranty claims are invalid in the case of:

- improper operation,
- insufficient maintenance.

In the interests of your safety, please always observe the safety regulations.

Use original PROXXON spare parts only.

We reserve the right to make further alterations for the purpose of technical progress.

We wish you every success with your device.

Use indoors only



Protection class II device



Please do not dispose off the machine!



### Risk of injury!

Never work without dust protection mask and safety glasses. Some dusts have a hazardous effect! Materials containing asbestos may not be machined!



### WARNING!

Read all safety warnings and instructions. Failure to follow all safety warnings and instructions listed below may result in electric shock, fire and/or serious injury. **KEEP ALL SAFETY WARNINGS AND INSTRUCTIONS FOR THE FUTURE !**



## Key

---

- 1 Speed control knob
- 2 ON/OFF switch
- 3 Handle
- 4 Connection lead
- 5 Saw plate
- 6 Scale
- 7 Saw blade
- 8 Parallel stop
- 9 Piston with saw blade mount

## Scope of delivery

---

- 1 pc. STS/E jig saw
- 1 pc. Storage case
- 1 pc. Operating instructions
- 1 pc. Safety guidelines
- 2 pcs. Jig saw blades of special steel, ground and side set teeth (teeth division 1.5 mm). For cutting all types of wood, fibre-glass sheets and soft plastics.
- 2 pcs. Jig saw blades of HSS steel, ground and wavy set teeth (teeth division 1.06 mm). For cutting of steel, non-ferrous metal, GRP, pressed materials, resin bonded fabric, Plexiglas and insulation material.

- 1 pc. Allen key (for changing saw blade)
- 1 pc. Allen key (for table adjustment)

## Description of the machine

We have developed a jig saw for especially high requirements concerning sawing precision and performance that is not only distinguished by its versatility but is also suitable for cutting curves in 12 mm thick wood.

Straight cuts are no problem either: the machine is equipped with an adjustable limit stop which is guided along the tool edge, enabling accurate parallel cuts. And because the saw table can also be rotated along the longitudinal axle, mitre cuts up to 45° are also possible.

The device head consists of precisely machined die-cast zinc. It contains a reduction gear for the drive of the saw blade. The jig saw is powered by an especially high quality and quiet direct current motor. The speed can be preselected via electronic control: the correct number of strokes is then always set

## Technical data

Dimensions, weight:

Length: 230 mm  
Weight: 530 g

Motor:

Voltage: 230 volts, 50/60 Hz

Power consumption: 80 Watt, KB 5

Rational speed: 2000 - 4500 min<sup>-1</sup>

Vibration: < 2,5 m/s<sup>2</sup>

Noise emission: LPA 87 dB(A)  
LWA 100 dB(A)

General measuring

uncertainty: K=3 dB

Please note that the sound and vibration measurements in particular have been performed with PROXXON bits and cutters. When using third-party brands we cannot guarantee compliance with the statements given here!

## Clamping and changing saw blades

### ***Danger!***

Injury hazard

Disconnect the mains plug before changing tools.

### ***Note:***

- Do not work with damaged or worn bits and cutters! Make sure the sanding discs are in perfect condition!
  - When storing the bits and cutters, make sure they are reliably protected from damage!
1. Loosen clamp screw using the Allen key 1 provided (Fig. 2).
  2. Insert saw blade (2) into slot in the saw blade mount and re-tighten clamp screw.

### ***Important***

The saw blade must be located in the groove of the support roller.

## Setting the mitre angle

### ***Danger!***

Injury hazard

Disconnect the mains plug before proceeding.

1. Loosen clamp screw using the Allen key 1 (Fig. 3).
2. Adjust the saw plate (2) to the desired mitre angle and re-tighten the clamp screw.

## Setting the parallel stop

### ***Danger!***

Injury hazard

Disconnect the mains plug before changing tools.

1. Loosen clamp screw 1 (Fig. 4) using the Allen key provided
2. Adjust the stop (2) to the desired dimension and re-tighten the clamp screw.

### ***Note:***

The stop can also be used for curved cuts. For this purpose, position a nail at the centre point of the curve and use as axis for the stop. The scale for curved cuts is on the back of the stop.

## Working with the jig saw

**Hold power tool by insulated gripping surfaces, when performing an operation where the cutting accessory may contact hidden wiring or its own cord.** Cutting accessory contacting a "live" wire may make exposed metal parts of the power tool "live" and could give the operator an electric shock.

**Affix and secure the work piece to a stable surface using clamps or another suitable method.** If you hold the work piece with your hand only or up against your body, it will be unstable which may lead to a loss of control.

Activate the device with the switch 2 (Fig. 5) and set the number of strokes that correspond to the work task at knob 1. Fundamentally speaking, the following apply:

Soft materials: high number of strokes  
coarse teeth

Hard materials: low number of strokes,  
fine teeth

The jig saw can be easily guided by hand now. In the interest of clean saw cuts and optimal sawing performance, make sure the feed is adjusted to suit the material. The basic principle here is: the harder the material, the slower the feed!

When sawing metals, a small amount of oil should be applied to the cutting line.

Thin sheet steel should be appropriately clamped to a fixed supporting surface (e.g. plywood board): This minimises and prevents vibrations and flexing.

When producing cut-outs, drill a hole that is sufficiently large to allow the saw blade to be inserted.

## Maintenance, cleaning and care

### ***Attention:***

**Disconnect the mains plug prior to every adjustment, maintenance measure or repair!**

### **Note:**

Every device is dirtied by dust when working. Cleaning is therefore essential. To ensure a long service life, however, the machine should be cleaned with a soft cloth or brush after each use. Ensure all ventilation apertures are clear. Mild soap or other suitable cleaning agent may be

used in this context. Solvents or cleaning agents containing alcohol (e.g. petrol, cleaning alcohols, etc.) should be avoided, since these can attack plastic casings. Regularly lubricate reciprocating plunger and support roller with several drops of engine oil, after approx. 30 min. running time (Fig. 6).

### **Accessories**

For more detailed information on accessories, please request our device catalogue from the address specified on the last page in the warranty information.

### **Please note in general:**

PROXXON bits and cutters have been designed to work with our machines, which makes them optimal for their use.

We will not assume any liability whatsoever for the safe and proper function of our devices when using third-party bits and cutters!

### **Service note**

Please note: The mains power input may only be replaced by our PROXXON Service Department or a qualified specialist!

### **Disposal**

Please do not dispose of the device in domestic waste! The device contains valuable substances that can be recycled. If you have any questions about this, please contact your local waste management enterprise or other corresponding municipal facilities.

## EC Declaration of Conformity

Name and address:

PROXXON S.A.  
6-10, Härebjerg  
L-6868 Wecker

Product designation: STS/E  
Article No.: 28530

In sole responsibility, we declare that this product conforms to the following directives and normative documents:

### **EU EMC Directive 2014/30/EC**

DIN EN 55014-1 / 09.2016  
DIN EN 55014-2 / 01.2016  
DIN EN 61000-3-2 / 03.2015  
DIN EN 61000-3-3 / 03.2014

### **EU Machinery Directive 2006/42/EC**

DIN EN 62841-1 / 07.2016  
DIN EN 62841-2-11 / 12.2016

Date: 01.02.2017



Dipl.-Ing. Jörg Wagner

PROXXON S.A.  
Machine Safety Department

The CE document authorized agent is identical with the signatory.

## Spare Parts List

---

### PROXXON STS/E

Art-No. 28530

Et.-Nr. :	Description
28530 - 01	Saw blade
28530 - 02	Set screw
28530 - 03	Blade holder
28530 - 04	Bushing
28530 - 05	Slider
28530 - 06	Ring
28530 - 07	Rod
28530 - 08	Screw
28530 - 09	Eccentric shaft
28530 - 10	Counterweight
28530 - 11	Roller bearing
28530 - 12	Circlips
28530 - 13	Bushing
28530 - 14	Guide
28530 - 15	Cover
28530 - 16	Screw
28530 - 20	Head
28530 - 21	Motor fastening screws
28530 - 24	Motor
28530 - 26	Board
28530 - 27	Housing screw
28530 - 28	Knob
28530 - 29	Switch
28530 - 31	Bow
28530 - 32	Power supply cord
28530 - 33	Retainer
28530 - 34	Roller
28530 - 35	Pin
28530 - 36	Set screw
28530 - 37	Base
28530 - 38	Screw
28530 - 39	Guide
28530 - 40	Screw
28530 - 41	Stop
28530 - 42	Pinion gear
28530 - 43	Motor pinion
28530 - 44	Fan
28530 - 45	Circlips
28530 - 47	Motor housing
28530 - 48	Centering ring
28530 - 49	Rear housing cover
28530 - 97	Packaging
28530 - 99	Manual and Security instructions



# PROXXON

**GB** Service note

All PROXXON products are thoroughly inspected after production. Should a defect occur nevertheless, please contact the dealer from whom you purchased the product. Only the dealer is responsible for handling all legal warranty claims which refer exclusively to material and manufacturer error.

Improper use, such as capacity overload, damage due to outside influences and normal wear are excluded from the warranty.

You will find further notes regarding "Service and Spare Parts Management" at [www.proxxon.com](http://www.proxxon.com).