

PROXXON

OZI/E



Manual

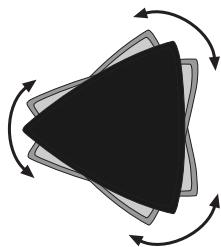
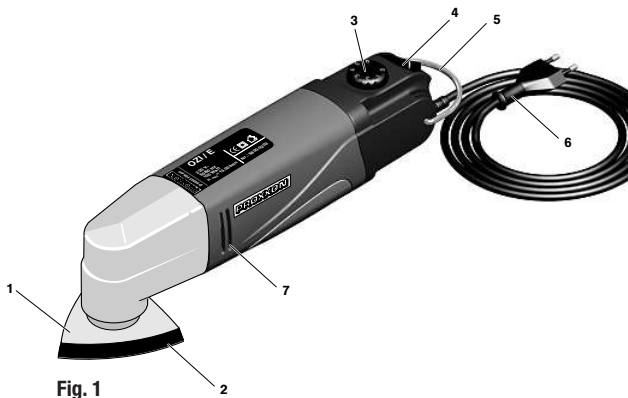


Fig. 2

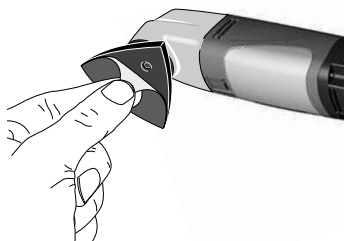


Fig. 3

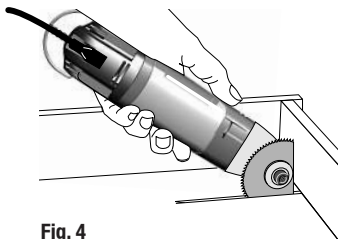


Fig. 4

GB Translation of the Original Operating Instructions PROXXON - OZI/E

Dear customer!

Always keep these operating instructions and the enclosed safety guidelines within reach.

Only use this device with exact knowledge of it and comply with the instructions and safety guidelines!

This is necessary to ensure safe operation and, secondly, it simplifies familiarisation with the device and its functions.

PROXXON assumes no liability for the safe function of the device in the case of:

- handling that does not comply with normal intended use,
- use for other purposes not mentioned in the manual,
- incorrectly executed repairs,
- failure to heed safety instructions,
- external influences for which the manufacturer is not responsible

We recommend using PROXXON original spare parts for all repair and maintenance work. Repairs should only be performed by qualified skilled personnel!

Please note: All information contained in these operating instructions - especially the technical data - corresponds to the status at the time of printing.

We reserve the right to make further developments in the interest of technical progress. We wish you every success with the device.

WARNING!

Read all safety warnings and instructions. Failure to follow all safety warn-



ings and instructions listed below may result in electric shock, fire and/or serious injury.

KEEP ALL SAFETY WARNINGS AND INSTRUCTIONS FOR THE FUTURE !

Legend

1. Grinding pad
2. Screw
3. Speed adjust button
4. ON/OFF switch
5. Hoop
6. Connection cable with power plug
7. Vent slits

Machine description

The PROXXON MICROMOT OZI/E corner grinder is ideal for grinding difficult-to-reach areas, such as corners, edges, joints and cavities. Thanks to the oscillating grinding plate (Fig. 2), better grinding results are achieved than are possible using corner grinders that operate with eccentric action. Additional attach-ments can be fitted, such as circular saw blades or diamond cutting blades to disaggregate the most disparate materials in inaccessible areas.

This machine features:

- Housing crown made of diecast aluminium for precision ball bearing fit and increased durability under extreme loads.
- Quiet-running, enclosed ventilated 5-pole full-wave electronic motor (5,000 to 10,000 rpm).
- Grinding pad with velcro facing for quick replacement of grinding wheels.

Technical data

Motor:

Voltage	230 V ~
Power consumption	80 Watt
Short-time operation	KB 5 min
Rotational speed	5,000 to

Weight	12,000 rpm
Characteristic noise	approx. 590 g
	LPA 83dB(A)
	LWA 96dB(A)
General measuring uncertainty	K=3 dB
Vibration at handle	< 2.5 m/s ²

Please note that the sound and vibration measurements in particular have been performed with PROXXON bits and cutters. When using third-party brands we cannot guarantee compliance with the statements given here!

Noise level may exceed 85 dB(A) during operation.

Ear protection must be worn!



For use in dry environments only



Protection class II device



Please do not dispose of the machine!



Wear safety glasses!



Proper handling of the machine

Note:

- Do not work with damaged or worn bits and cutters! Make sure the sanding discs are in perfect condition!
- When storing the bits and cutters, make sure they are reliably protected from damage!

Replacing grinding wheel

1. Hold grinding wheel at one corner (Fig. 3) to remove.
2. Place new grinding wheel on grinding pad to fit, and then press on firmly.

Note:

Replace dull grinding wheels promptly. To make optimal use of individual grinding wheels, offset wheels 120° after each use.

Removing, installing and rotating grinding pad

It may be necessary to rotate the grinding pad to access hard-to-reach areas.

Important:

Unplug machine before replacing or turning wheel!

1. Remove grinding wheel (Fig. 3)
2. Detach screw **2** (Fig. 1) using Allen wrench. In the event that screw is jammed, exert load moment against grinding pad to avoid unnecessary mechanical stress.
3. Replace grinding pad, or rotate to desired position.
4. Re-tighten screw without exceeding tightening torque of 5 Nm.

Important!

Possible attachments include circular saw blades and diamond cutting blades (Fig. 4). Always ensure that only suitable attachments are used. Always observe the relevant safety precautions.

Working with the device.

Some types of wood or even varnish residues (or similar) can generate harmful dusts while working. If you are unsure of the harmlessness of your material to be ground, please wear a dust protection mask! In any case, ensure your working area is well ventilated while working!

1. Activate the device with the switch 4 (Fig. 1) and set the right speed for the work on knob 3. Please note: Correct and consistent speed will provide optimal grinding performance. Excessive contact pressure will not provide greater grinding performance but will only increase heat development instead.
2. Hold the device without covering the ventilation slots 7 (Fig. 1).

Note:

For optimal grinding, apply requisite uniform speed. Applying excessive pressure does not achieve improved grinding results and increases heat build-up.

Note:

In the event that machine overheats, switch it off immediately and allow to cool.

Maintenance, cleaning and care

Attention:

Disconnect the mains plug prior to every adjustment, maintenance measure or repair!

Note:

Every device is dirtied by dust when working with wood. Cleaning is therefore essential. To ensure a long service life, however, the machine should be cleaned with a soft cloth or brush after each use. Mild soap or other suitable cleaning agent may be used in this context. Solvents or cleaning agents containing alcohol (e.g. petrol, cleaning alcohols, etc.) should be avoided, since these can attack plastic casings.

The apertures required for cooling the motor must always be kept free of dust and dirt.

Accessories

For more detailed information on accessories, please request our device catalogue from the address specified on the last page in the warranty information.

Please note in general:

PROXXON bits and cutters have been designed to work with our machines, which makes them optimal for their use.

We will not assume any liability whatsoever for the safe and proper function of our devices when using third-party bits and cutters!

Service note

Please note: The mains power input may only be replaced by our PROXXON Service Department or a qualified specialist!

Disposal:

Please do not dispose of the device in domestic waste! The device contains valuable substances that can be recycled. If you have any questions about this, please contact your local waste management enterprise or other corresponding municipal facilities.

EC Declaration of Conformity

Name and address: PROXXON S.A.
6-10, Hårebjerg
L-6868 Wecker

Product designation: OZI/E
Article No.: 28520

In sole responsibility, we declare that this product conforms to the following directives and normative documents:

EU EMC Directive 2014/30/EC

DIN EN 55014-1 / 05.2012
DIN EN 55014-2 / 11.2014
DIN EN 61000-3-2 / 03.2010
DIN EN 61000-3-3 / 03.2014

EU Machinery Directive 2006/42/EC

DIN EN 62841-1 / 07.2016
DIN EN 62841-2-4 / 05.2015

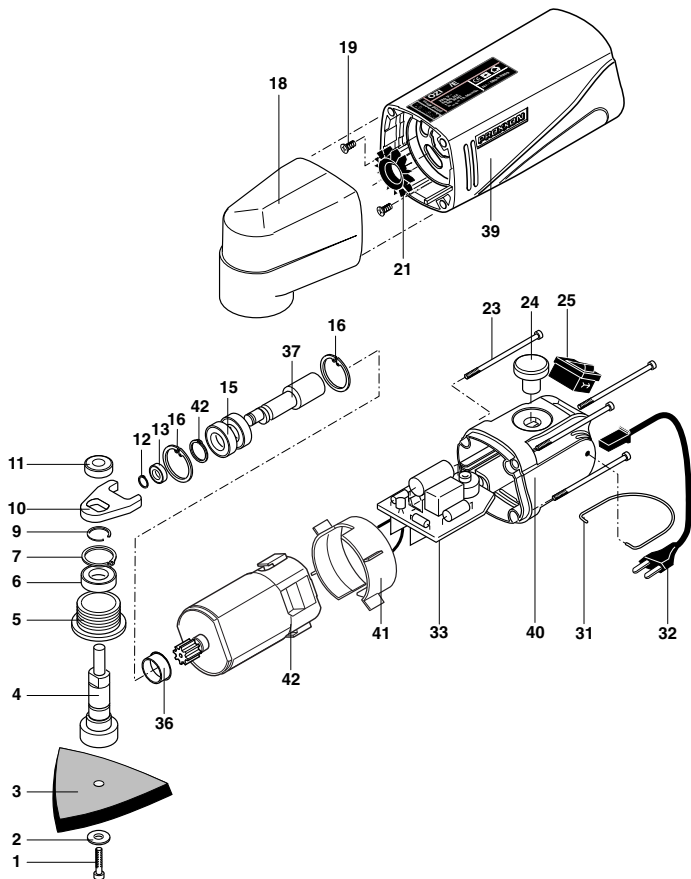
Date: 08.09.2017



Dipl.-Ing. Jörg Wagner
PROXXON S.A., Machine Safety Department

The CE document authorized agent is identical with the signatory.

ET-Nr.	Description
28520 - 01	Screw
28520 - 02	Washer
28520 - 03	Grinding shoe
28520 - 04	Shaft
28520 - 05	Nut
28520 - 06	Ball bearing
28520 - 07	Circlip
28520 - 09	Circlip
28520 - 10	Lever
28520 - 11	Sintered bearing
28520 - 12	Circlips
28520 - 13	Ball bearing
28520 - 14	Circlip
28520 - 15	Ball bearing
28520 - 16	Circlip
28520 - 18	Gear head
28520 - 19	Motor fastening screws
28520 - 21	Fan
28520 - 23	Housing screw
28520 - 24	Control knob
28520 - 25	Switch
28520 - 31	Bow
28520 - 32	Power cord incl. plug and grommet
28520 - 33	Board
28520 - 35	Motor incl. Pinion gear
28520 - 36	Centering ring
28520 - 37	Shaft
28520 - 38	Pinion gear
28520 - 39	Motor housing
28520 - 40	Cap
28520 - 41	Back-up-ring
28520 - 99	Manual incl. security instructions



PROXXON

GB Service note

All PROXXON products are thoroughly inspected after production. Should a defect occur nevertheless, please contact the dealer from whom you purchased the product. Only the dealer is responsible for handling all legal warranty claims which refer exclusively to material and manufacturer error.

Improper use, such as capacity overload, damage due to outside influences and normal wear are excluded from the warranty.

You will find further notes regarding "Service and Spare Parts Management" at www.proxxon.com.