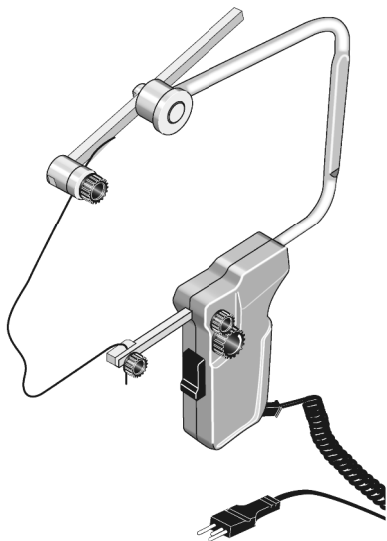
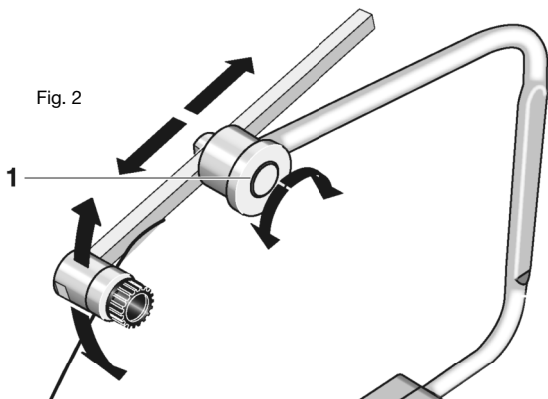
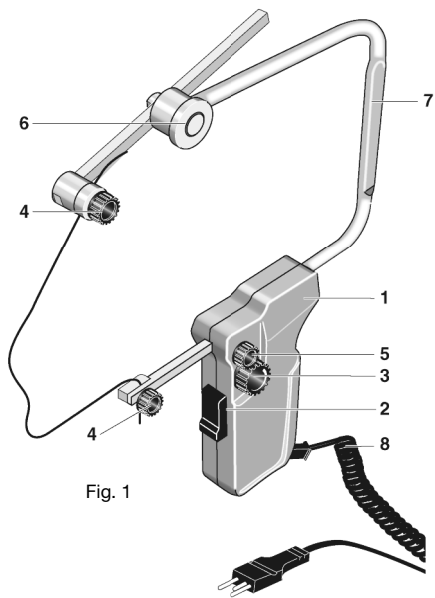


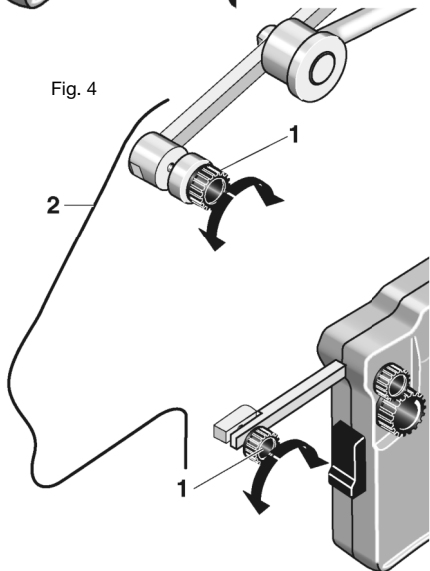
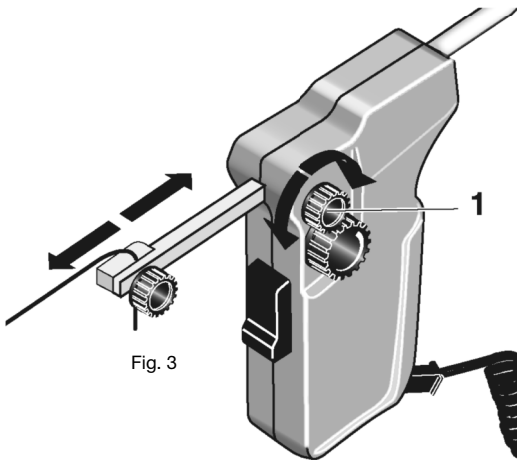
PROXXON

Thermocut 12/E



Manual







Operating instructions for Thermocut 12/E

Dear Customer,

Always keep these instructions close to hand.

Only operate this device with exact knowledge of it and comply with the instructions.

PROXXON will not be liable for the safe function of the device for:

- handling that does not comply with the usual intended use,
- other application uses that are not stated in the instructions,
- disregard of the safety regulations.

You will not have any warranty claims for:

- operating errors,
- lack of maintenance.

For your safety, please comply with the safety regulations without fail.

Only use original PROXXON spare parts.

All rights reserved for further developments within the meaning of technical progress.

We wish you much success with the device.

Description of the device:

The Thermocut 12/E cuts foam materials, such as polystyrene, with a max. 400°C hot wire. A wire, twistable into any shape, and the manifold adjusting possibilities of the retaining clip offer a high degree of flexibility and thus the greatest possible freedom while designing work pieces: The top holder can be set to different angles, and it is also possible to extend the levers: This gives you all of the possibilities to design the desired profiles.

The frame in the rear area was flattened making it possible to cut larger sheets: This requires less space and can be more easily inserted through the slot. The generous work piece height makes it possible to process thicker work pieces as well, or to manufacture broad profiles.

We provided an ergonomically shaped and comfortable pistol grip for precision guidance of the device, which also enables longer and effortless working. This makes the Thermocut 12/E excellently suited for designing railway dioramas, for work on architecture modelling, while constructing prototypes, etc.

The infinitely variable cutting wire temperature can be adapted to different conditions: With a bit of practice, an optimal cutting result is guaranteed.

A replacement cutting wire is available under the article number 28082. Length x Diameter 200 x 0.85 mm here as well

Scope of delivery:

1 Thermocut 12/E
5 cutting wires 200 x 0.85 mm

Specifications:

Voltage	12 V
Output	60 W
Cutting wire temperature:	adjustable from approx. 150°C to 400°C.
Heating time:	1 sec.
Cutting wire thickness	0.85 mm
Cutting wire length	200 mm
Passage width:	100 mm
Max. extension:	200 mm
Polarity-protected PROXXON 12 V system plug.	

To operate, we recommend MICROMOT power supplies with a current of 2.0 A.

Legend Fig. 1:

1. Grip
2. On-Off switch
3. Temperature control knob
4. Clamping screws for hot wire
5. Clamping screw for bottom wire holder
6. Clamping screw for top wire holder
7. Retaining clip
8. Supply cable

Please note:

- The hot wire can heat up to 400°C during operation. Do not touch! Risk of burns!
- Make sure the hot cutting wire does not touch any electrical lines or objects!
- After use, always disconnect the mains plug of the power unit!
- Keep children away from the working area!

Thermocut 12/E operation:

Adjusting the top wire holder (Fig. 2):

Caution! You can make these adjustments before clamping the hot wire, but you can also correct the position afterwards!

1. Release clamping screw 1
2. The wire holder can now be drawn in and out and also swivelled. Make the necessary adjustment.
3. Fix the position by tightening the clamping screw 1

Adjusting the bottom wire holder (Fig. 3):

Caution! You can make these adjustments before clamping the hot wire, but you can also correct the position afterwards!

1. Release clamping screw 1
2. The wire holder can now be drawn in and out. Make the necessary adjustment.
3. Fix the position by tightening the clamping screw 1

Fasten the hot wire (Fig. 4)

1. Release clamping screws 1
2. Insert wire 2 in the clamping slits and position as desired
3. Tighten clamping screws 1

Useful notes:

Replacement cutting wire available under article number 28082 (package of 10)

Care and maintenance:

The device is broadly maintenance-free. For a long service life, you should clean your unit after every use with a soft cloth or brush.

The exterior of the housing can be cleaned with a soft, possibly damp cloth. A mild soap or other suitable cleaning agent may be used during this. Solvents or cleaning agents containing alcohol (e.g. petrol, cleaning alcohols etc.) should be avoided, since these can attack plastic casings. In any event, make absolutely certain that no liquids penetrate into the interior of the device.

Disposal:

Please do not dispose of this machine in household refuse! The device contains reusable materials which can be recycled. If you have any questions about this, please contact your local disposal company or other appropriate local facilities.

EC Declaration of Conformity

Name and address:

PROXXON S.A., 6-10, Härebjerg, L-6868 Wecker

Product designation

Thermocut 12/E

Article No.: 27082

In sole responsibility, we declare that this product conforms to the following standards and normative documents:

EU-EMC Directive 2014/30//EEC

DIN EN 55014-1 / 05.2012

DIN EN 55014-2 / 01.2016

DIN EN 61000-3-2 / 03.2015

DIN EN 61000-3-3 / 03.2014

Date: 17.05.2017



Dipl.-Ing. Jörg Wagner
PROXXON S.A.

The CE document authorized agent is identical with the signatory.

PROXXON Thermocut 12/E

Art .-Nr.	Description
27082 - 01	Power supply
27082 - 02	Casing half, left
27082 - 03	Potentiometer shaft
27082 - 04	Adjusting knob
27082 - 05	Knurled screw
27082 - 06	Bow
27082 - 07	Knurled nut
27082 - 08	Upper Guidance
27082 - 09	Fastener
27082 - 10	Screw
27082 - 11	Clamping element
27082 - 12	Clamping washer
27082 - 13	Screw
27082 - 14	Screw
27082 - 15	Screw
27082 - 16	Cutting wire (not illustrated)
27082 - 17	Downer clamping element
27082 - 18	Downer Guidance
27082 - 19	Button
27082 - 20	Spring
27082 - 21	Casing half, right
27082 - 22	Circuit board
27082 - 23	Connecting lead
27082 - 24	Replacement cutting wires, 5 pc. (not illustrated)
27082 - 99	Power-supply cord

PROXXON

GB Service note

All PROXXON products are thoroughly inspected after production. Should a defect occur nevertheless, please contact the dealer from whom you purchased the product. Only the dealer is responsible for handling all legal warranty claims which refer exclusively to material and manufacturer error.

Improper use, such as capacity overload, damage due to outside influences and normal wear are excluded from the warranty.

You will find further notes regarding "Service and Spare Parts Management" at www.proxxon.com.